

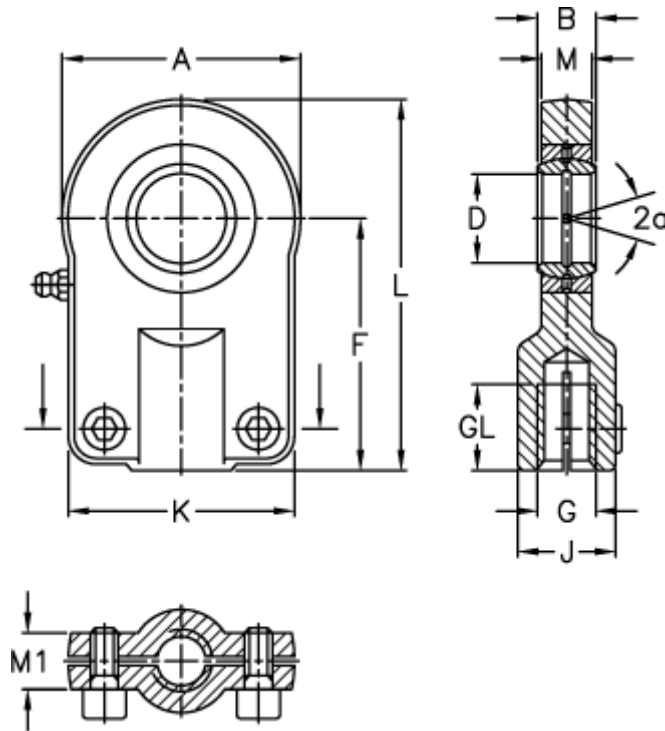
Data Sheet



Article number: 03550020

Description: Fluro hydraulic rod end FPR 20S

Measures



A	= 55	J	= 25
a (degrees)	= 9	K	= 55
B	= 16	L	= 85.5
D	= 20	M	= 13
Dynamic load C (kN)	= 30	M1	= 17
F	= 58	Static load C0 (kN)	= 42.5
g	= M14x1,5	Torque (N m)	= 25
GL	= 19	Weight	= 430